

BENISON



AUTO. SIDE-SEAL MACHINE



AS-350

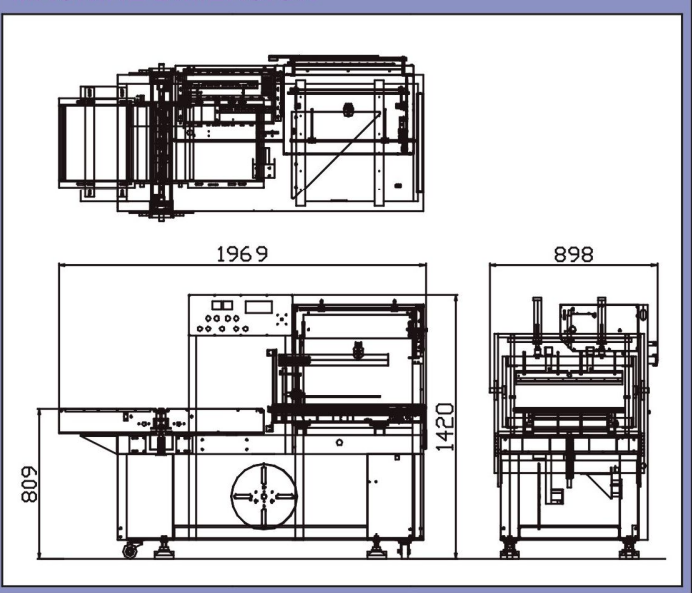
USA-005N

USA SERIES SPECIFICATION

Specification	Model Number	Unit	USA-005N
Type			Side seal
Power			1 ϕ 220 V 50/60 HZ
Machine Dimension	(m/m)		1969 X 898 X 1420
Seal Size	L X W(m/m)		∞ x 550
Package Height	H(m/m)		5-120
Heater	(KW)		1
Motors	(W)		4NMX2, 25WX1, 15WX1
Packaging Speed	(Boxes/Min) Box: 180x110x42 (m/m)		Max.40
Air Pressure	KG/cm ² (Psi)		5.5(80)

- Our packaging specialists will provide you the most efficient and energy-saving packaging system for your products.
- All specifications, design and characteristics shown on this catalogue are subject to change without prior notice.

MACHINE DIMENSION



※ALL MACHINES ARE LIABILITY INSURED.

2010 03



BENISON & CO., LTD.

TAIWAN HEAD OFFICE	:TEL:886-2-2772 5566	FAX:886-2-2772 8793	E-mail:benison@benison.com.tw
TAOYUAN PLANT # 1	:TEL:886-3-322 5531	FAX:886-3-322 8090	E-mail:benison@benison.com.tw
TAOYUAN PLANT # 2	:TEL:886-3-354 7645	FAX:886-3-354 7649	E-mail:benison@benison.com.tw
KAO-HSIUNG PLANT	:TEL:886-7-787 3033	FAX:886-7-787 3042	E-mail:benison@benison.com.tw
PHILIPPINES PLANT	:TEL:63-46-972 2068	FAX:63-46-972 2069	E-mail:sales_benison@globelines.com.ph
CHINA(SHANG-HAI) PLANT	:TEL:86-21-671 00350	FAX:86-21-671 00093	E-mail:benison@benison.asia
THAILAND PLANT	:TEL:66-35-722 056	FAX:66-35-722 055	E-mail:benison@benison.co.th

<http://www.benison.com.tw>

All Kind of Shrink Wrapping Film / Color Label / Auto. Wrapping Machines & Sleeving Machines